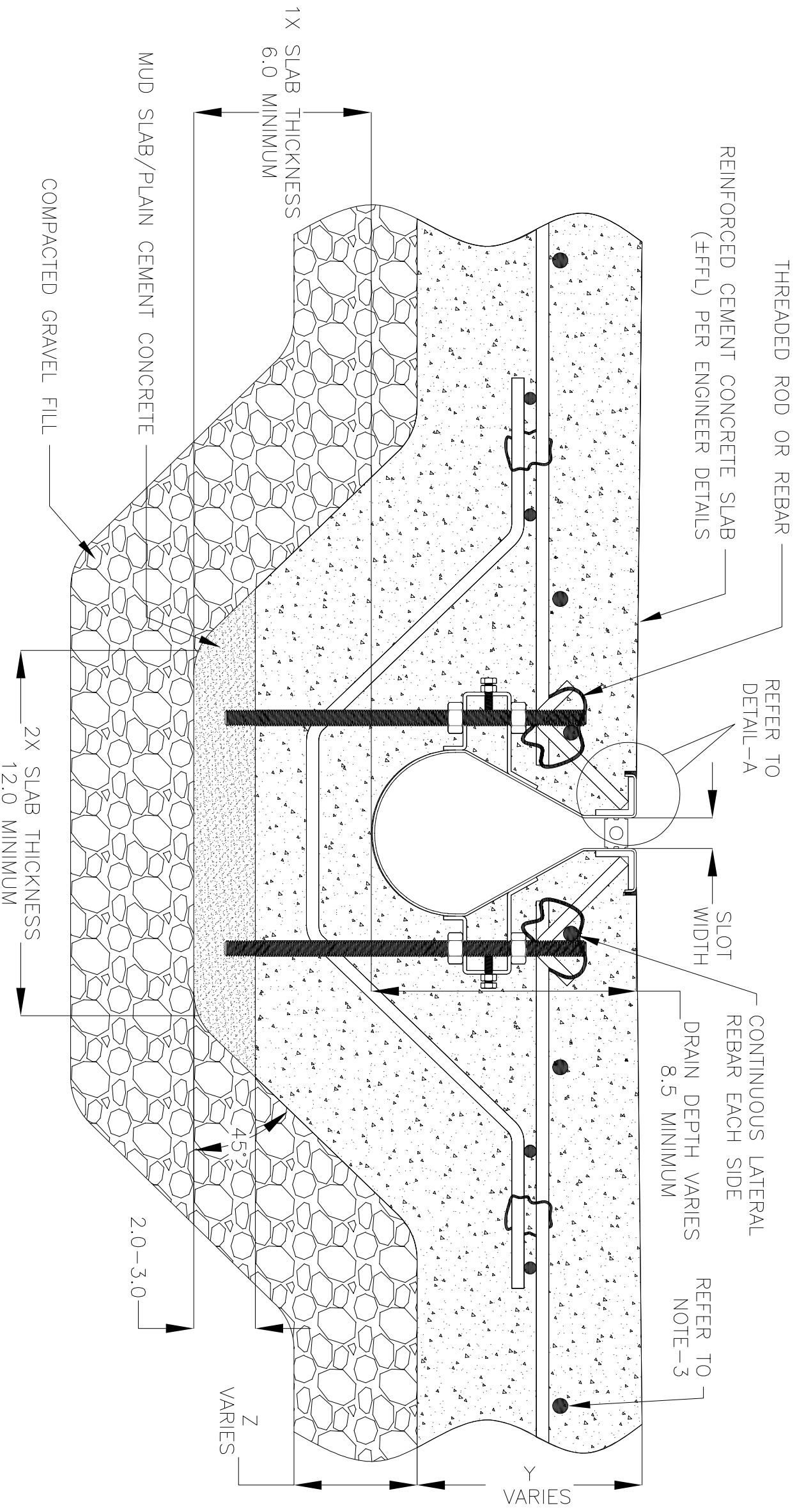


NOTES: UNLESS OTHERWISE SPECIFIED

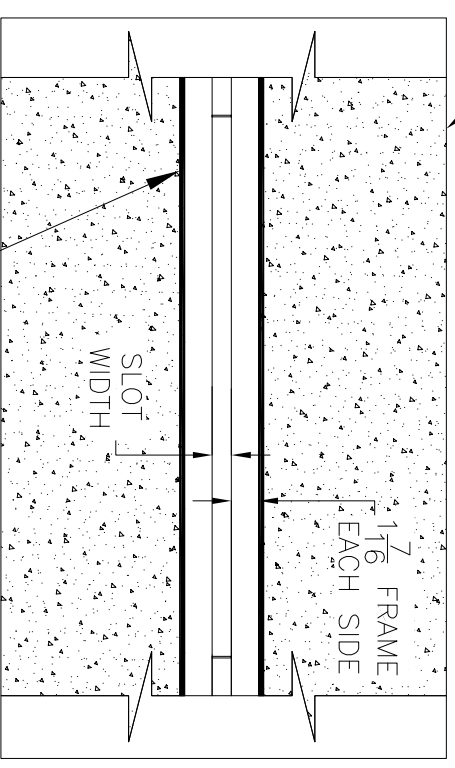
1. ALL DIMENSIONS ARE IN INCHES.
2. DRAIN BODY MATERIAL: 14GA STAINLESS STEEL T304/T316
3. 6" CONCRETE ENCASUREMENT IS RECOMMENDED ON ALL THE SIDES & BOTTOM OF SLOT DRAIN FOR HEAVY DUTY LOAD CLASS APPLICATIONS.
4. SPECIFYING ENGINEER IS RESPONSIBLE FOR CONCRETE ENCASUREMENT AND REINFORCING BASED UPON APPLICATION AND LOCAL CODES.
5. REFER TO <https://info.slotdrainsystems.com/installresources> FOR INSTALLATION INSTRUCTIONS.



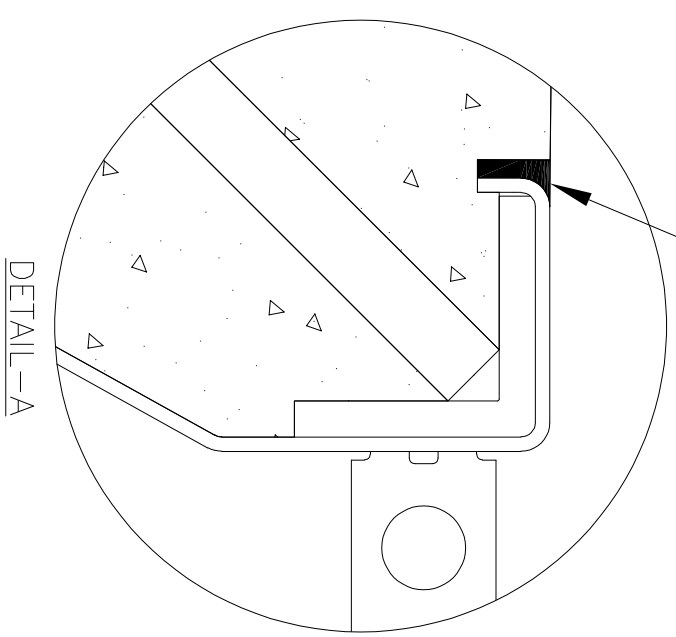
10000 SERIES SLOT DRAIN INSTALLATION DETAILS

REINFORCED CEMENT CONCRETE SLAB (±FFL) PER ENGINEER DETAILS

REVISIONS			
REV	DESCRIPTION	DATE	BY
0	INITIAL RELEASE - RO	6/8/2019	DK
1	UPDATED DRAIN SECTIONS.	12/2/2019	DK
2	UPDATED DRAIN LAYOUT WITH REBAR	12/2/2020	DK
3	UPDATED WITH 10KS DRAIN AND GLOBAL DRAIN TEMPLATE	3/19/2024	DK



SEALANT BETWEEN ±FFL AND DRAIN TOP



DRAWING TITLE
CONCRETE FLOOR-NEW CONSTRUCTION INSTALLATION

DWG NO.	IN-SD10000-003-R3	SIZE	B	SCALE	NTS	SHEET	1 OF 1
DRAIN SERIES	10000 SERIES SLOT DRAIN	REV.				3	

ALL DRAWINGS ARE THE EXCLUSIVE PROPERTY OF SLOT DRAIN SYSTEMS. ANY REPRODUCTION IN PART OR IN WHOLE IS PROHIBITED WITHOUT PROPER CONSENT.